

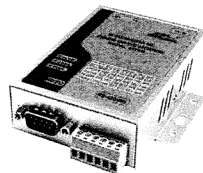
Single-mode fiber optic KS-BUS converter - Quick guide

KSI4300003.300

Ksenia[®]
security innovation

INTRODUCTION

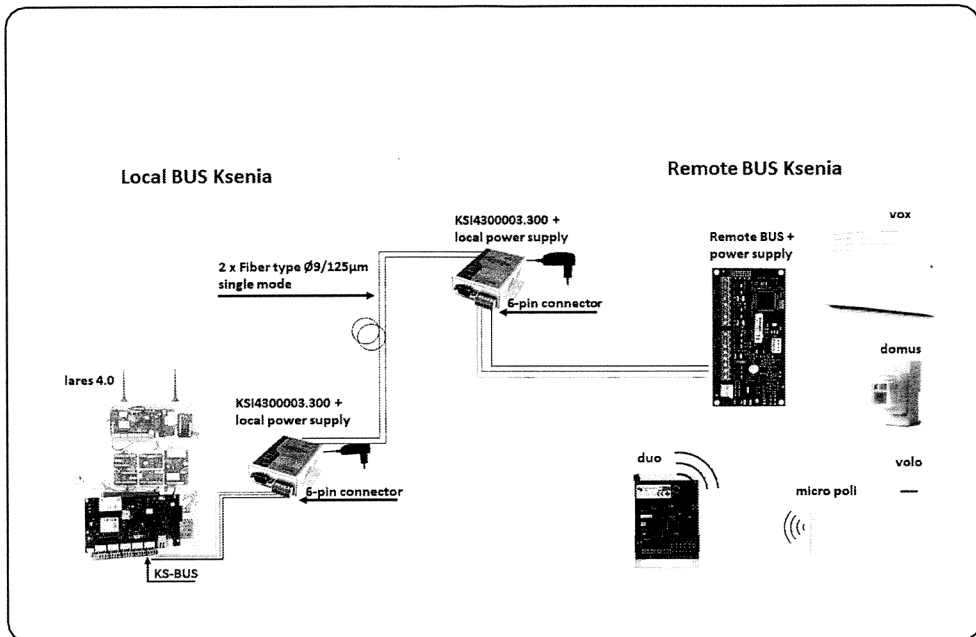
Single-mode fiber optic KS-BUS converter (KSI4300003.300) converts the lares 4.0 KS-BUS signals to fiber optic link and extends the KS-BUS communication distance between lares 4.0 control panel and its KS-BUS peripheral devices.



Main features

- Support "point-to-point" mode.
- Support Single Mode fiber with SC connector type
- RS-485/KS-BUS interface
- Up to 20km fiber optic link distance
- Isolation protection, reduce electrical interference

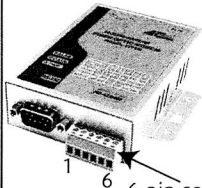
CONNECTION DIAGRAM



Technical specifications, appearance, functionality and other product characteristics may change without notice.

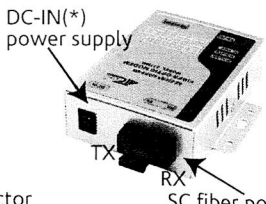
DESCRIPTION OF THE DEVICE

Side view A




6-pin connector

Side view B



DC-IN(*) power supply
TX
RX
SC fiber port

AC/DC adapter

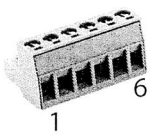


Signal indicators legend

ALAM: Optical fiber disconnection alarm, flashing indicates that the optical fiber is disconnected or not connected properly
DATA: KS-BUS/RS-485 data sending and receiving indication
PWR: power indicator

RS-485 - CONNECTIONS

6-pin connector

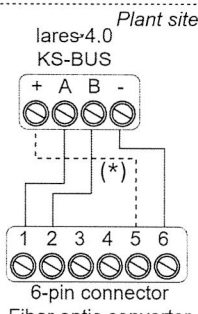


RS-485 Table connections

6-pin connector	RS-485	KS-BUS
PIN 1	485+	A
PIN 2	485-	B
PIN 3	n.u.	
PIN 4	n.u.	
PIN 5	VIN(*)	+
PIN 6	GND	-

Plant site

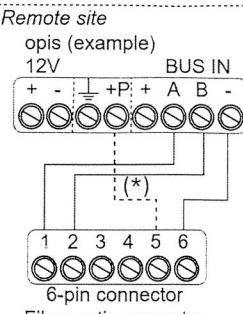
lares-4.0
KS-BUS



6-pin connector
Fiber optic converter

Remote site

opis (example)
12V BUS IN



6-pin connector
Fiber optic converter

(*) Use just one power supply:
Connection of an external power supply on pin 5 (VIN) is alternative to the use of DC-IN power supply.

TECHNICAL SPECIFICATIONS

PHYSICAL SPECIFICATION


- Shell: iron (1 mm)
- Size: 100mm x 86mm x 26mm
- Weight: 0.60kg (full package)
- Operating temperature: -20°C to 70°C
- Storage temperature: -40°C to 80°C
- Working humidity: 5 ~ 95% RH
- Protection grade: IP30
- Power supply DC-IN: 9-24VDC @ 250mA max

KS-BUS CURRENT CONSUMPTION VIN INPUT

- 100mA max

OPTICAL FIBER PART

- Fiber connector type: SC
- Fiber type: Ø9/125µm single mode
- Transmission distance: 20 km max
- Wavelength SM: 1310 nm
- Coupled Power Budget: 12.1 dB
- Point to point transmission: half-duplex and full-duplex



security innovation

www.kseniasecurity.com

ed. 05/2023